

Sterilization, Hygiene and Maintenance

#whdentalwerk



[video.wh.com](https://www.video.wh.com)

Now at
your dealer
or [wh.com](https://www.wh.com)



Hygiene standards at the highest level

Sterilization, hygiene and maintenance are increasingly important in the dental practice! W&H offers a complete solution for your handpieces, contra-angle handpieces and turbines on their way through the hygiene system.



You can find the exact work process for preparation of transmission instruments and motors at wh.com.

Sterilization, Hygiene and Maintenance

COMPANY	4 – 5
Product overview 1 for Assistina 3x3, Assistina 301 plus and Assistina Twin	6 – 7
Product overview 2 for Lina, Lara, Lisa, Multidem	8 – 9
CLEANING AND MAINTENANCE	
Assistina 3x3 / 3x2 Internal cleaning spray channels transmission parts / External cleaning / Lubrication	10 – 11
Assistina Twin Cleaning of the spray channels / Lubrication	12 – 13
Assistina 301 plus Cleaning of the spray channels / Lubrication	14 – 15
Assistina 3x3 and Lisa fast cycle	16 – 17
STERILIZATION	
Lina, Lara, Lisa	18 – 23
Traceability	24 – 25
Lina, Lara and Lisa accessories	26 – 27
PACKING	
Seal ²	28 – 29
WATER TREATMENT	
Multidem, Osmo, Dist, Prim	30 – 33
RDG adapter set	34
Technical data	35 – 38
System overview adaptors	39 – 41

People have Priority

W&H at a glance

- › Headquarters in Austria
- › 1,200 employees worldwide
- › Established 1890 in Berlin by Jean Weber and Hugo Hampel
- › Production facilities in Austria, Italy and Sweden
- › Represented in 110 countries
- › Export share over 95%

For more information see
wh.com



W&H Dentalwerk
Bürmoos (A)



W&H Sterilization
Brusaporto (I)



The stakes are high.
We are working with
people.

Healthy development occurs when action is taken in advance. This applies for sterilization, hygiene and maintenance just as it does for W&H: after all, as a family-owned company, we have been operating with the appropriate far-sightedness for generations.

The secret to our success: W&H has always focussed on people – regardless of whether they are partners, customers, patients or employees. It would only be natural for you now to ask critically: Is that really put into practice? What we suggest: Put us to the test!

Your **advantages** at a glance



Dr. Klaus Kohlpaintner
dentist with his own practice

»With automatic external cleaning Assistina 3x3 / 3x2 the Assistina 3x3 is the first choice for the preparation of turbines and handpieces for the sterilization.«

Assistina 3x3 / 3x2

- › Automatic internal cleaning (gear parts and spray channels)
- › Automatic external cleaning (Assistina 3x3)
- › Perfect instrument lubrication
- › Short cycle time around 6 minutes
- › Simple operation
- › Optimum value for money
- › Validated process

[More information from page 10](#)



Dr. Christian Müller
dentist with his own practice

»Now I have the certainty that my instruments can be reprocessed between treatments without additional waiting times for me or my patients. It's a win-win situation for my practice.«

Assistina Twin

- › Easy operation
- › Instrument maintenance in just 10 seconds
- › Non-stop loading through two process chambers that can be used alternately
- › Assistina TWIN Care Set sufficient for reprocessing up to 2,800 instruments
- › Active suction of aerosols with integrated HEPA filter
- › Wide range of adaptors

[More information from page 12](#)



Dr. Florian Gierl
dentist with his own practice

»Assistina 301 plus – many years of highly reliable support for my employees when they lubricate my instruments.«

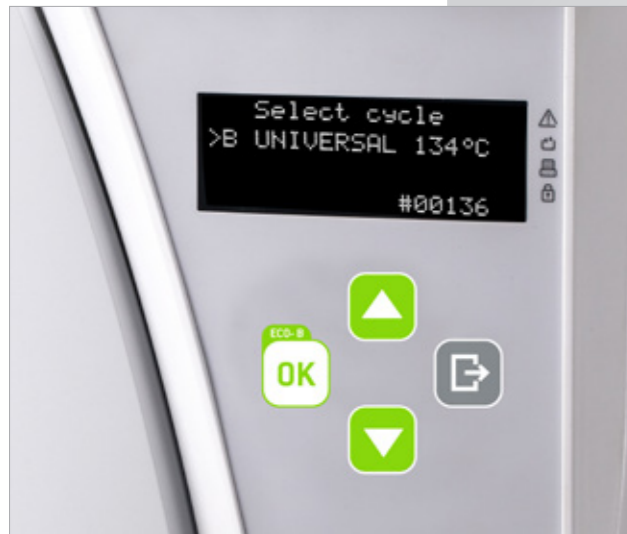
Assistina 301 plus

- › Automatic rotary lubrication
- › Automatic oil dispenser
- › Optimum instrument lubrication
- › Optimum cleaning of spray channels with cleaning solution
- › Flushing through with compressed air

[More information from page 14](#)



Your **advantages** at a glance



Dr. Jakob Svoboda
dentist with his own practice

»We find the Lina to be the ideal basic model for economical instrument preparation.«



Dr. Klaus Kohlpaintner
dentist with his own practice

»Lisa is an efficient sterilizer very easy to use. It makes our daily work much more easier!«



Dr. Maria Boshamer
veterinary surgeon with her own practice

»Change filters without wet feet, without a plumber and without lugging containers around.«

LINA

- › The ECO B cycle reduces the cycle time by half
- › Quiet operation with the patented water separation system
- › User-friendly keypad for simple navigation to all sterilization options
- › Built-in dust filter to protect internal components
- › Programmable cycle start
- › Excellent value for money
- › Integrated automatic water filling valve (optional)
- › Automatic digital cycle recording on USB stick (optional)

[More information from page 18](#)

LARA

- › Easy to use colour touchscreen display for intuitive navigation through the intelligent menu structure
- › Highest-performing sterilizer in its segment
- › Individual increase of efficiency through upgrades with activation codes
- › Paper-free documentation with high capacity USB stick for automatic recording of all cycles
- › Ergonomic design

[More information from page 20](#)

LISA

- › Easy to use with crystal-clear colour touchscreen allowing intuitive navigation via the intelligent menu structure
- › EliSense technology for optimisation of daily workflows via LED indicators and touchscreen
- › EliTrace technology for traceability of the sterilisation process right down to the individual instrument and user
- › High additional security with Wi-Fi and mobile app for real-time remote monitoring
- › High efficiency with patented Eco Dry + technology for reduction of cycle time (30 minutes for average load of 2 kg)
- › High level of ergonomics thanks to newly developed design
- › Programmable cycle start
- › Automatic water-filling valve

[More information from page 22](#)

MULTIDEM

- › Fast and easy cartridge change without tools
- › Cartridge can be positioned without a fixing/securing device
- › Suitable for use with conventional sterilizers and processing units
- › Flexible use with the spray gun
- › External power supply not required
- › Optimized ion exchange resin
- › The purified water complies with the recommendations and regulations for the operation of steam sterilizers and for the treatment and preparation of instruments.

[More information from page 30](#)



Perfect cleaning inside and outside

Clean inside, clean outside.

Now you can concentrate on what is really important: your patients. The fully automatic Assistina 3x3 takes over the time-consuming process of preparing e.g. straight and contra-angle handpieces and turbines for sterilization.



Assistina 3x3 / 3x2



Internal cleaning

The thorough cleaning of all transmission parts and spray channels ensures that the instrument operates correctly throughout its working life.



External cleaning

The removal of organic deposits before sterilization increases the safety of your patients and your practice team.



Perfect lubrication

The precise automatic lubrication of all transmission parts extends the working life of your instruments.



Record time

The short cycle time of about six minutes reduces the total conventional preparation time for your instruments.



Easy to use

The operation of the Assistina 3x3 is intuitive, preparation starts at the press of a button. Absolutely no training required.

Assistina 3x2

3 instruments x 2 preparation steps: Internal cleaning, lubrication



Price-performance ratio

Maximum cleaning efficiency with low purchase price and extremely economical in use.

Assistina 3x3

3 instruments x 3 preparation steps: Internal cleaning, external cleaning, lubrication

Oil service in record time

Simple, fast, efficient.

The Assistina TWIN performs your instrument maintenance quicker than ever before.



Assistina Twin



Simple

First reprocessing device for dental instruments which is equipped with two process chambers that can be used alternately.



Fast

W&H has been able to reduce the maintenance process to a record time of just 10 seconds.



Efficient

Thanks to the smart process monitoring, the Assistina Twin Care Set does not need to be replaced until after approximately 2,800 instruments.



Groundbreaking technology

Thorough, comprehensive oil service of gearing components (orange) and cleaning of spray channels (green) thanks to innovative oil nebulization technology.



Safe

All aerosols are eliminated from the process chambers via active suction and integrated HEPA filter.



Adaptors for all situations

The two chambers can be equipped with corresponding adaptors to suit your requirements.

Maintenance at the press of a button

Simple, easy to use and safe.

The Assistina 301 plus maintenance process runs automatically: rotation lubrication, internal cleaning of spray channels, blow-drying with compressed air. The instrument is perfectly cleaned after only 35 seconds. The service life of the instruments is significantly increased.



Assistina 301 plus



Automatic rotary lubrication

The oil is optimally distributed to form an even lubricating film. Dirt particles are dislodged and removed.



Automatic oil dispenser

The system uses exactly the right amount of oil required for optimum lubrication of the instrument. No more and no less.



Non-electrical drive

The Assistina 301 plus operates without electrical power, only requiring a compressed-air connection for power.



Optimal cleaning

The Assistina 301 plus cleans and rinses the spray water and spray air channels with cleaning solution and dries them with compressed air.



Optimal care

Cleaning and lubricating the interior with W&H Service Oil F1 extends the service life of your instruments.



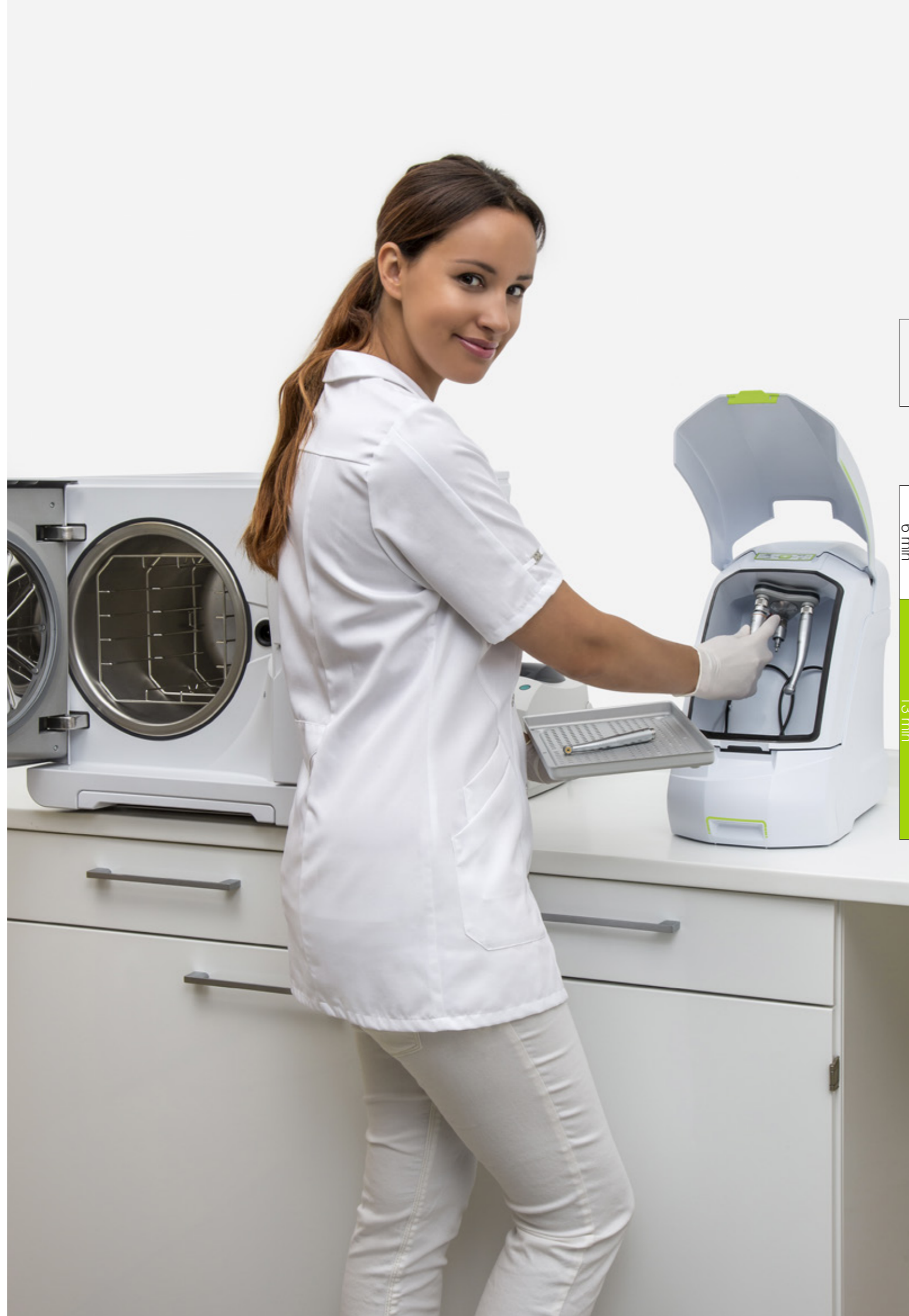
For perfect manual lubrication

W&H Service Oil F1, MD-400, in the spray can is a product of W&H research.

Sterilization in record time

Cleaned, serviced, sterilized.

The Assistina 3x3 cleaning process, in combination with the Lisa fast cycle, reduces the overall preparation time. You can use the instruments again after only 19 minutes.



Assistina 3x3 and Lisa fast cycle



0 min

Wipe disinfection
Disinfect the instruments before cleaning and servicing by wiping them.



6 min

Cleaning and care
The Assistina 3x3 cleans and services three instruments inside and outside in just 6 minutes.



13 min

Sterilization
With the Lisa fast cycle, the instruments can be removed from the sterilizer ready for use after only 13 minutes.



Assistina 3x3 / 3x2
The validation of the cleaning process is confirmed by expert opinion and can be viewed at wh.com.



Assistina 3x2
The Assistina 3x2 prepares instruments in two stages: internal cleaning, lubrication.

The essentials of sterilization

Simple and safe.

Lina is one of the range of W&H sterilizers which offers maximum safety and an excellent price-performance ratio with its type B cycles and a built-in USB data log.



Lina



Type B cycles exclusively

The Lina sterilizer works exclusively with type B cycles and with short ECO B cycles for smaller loads.



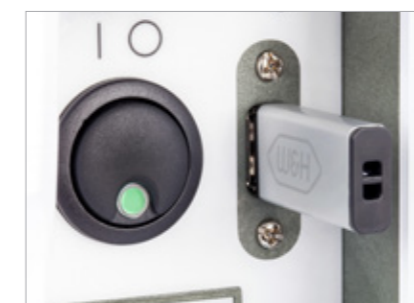
Simple navigation

All sterilization options are easily accessible with the easily operated keypad.



ECO B sterilization program

The cycle time can be reduced by half for small loads.



Built-in data log

The built-in data log means that sterilization cycles can be saved to a USB drive without needing cables and external boxes.



Barcode label printer

The LisaSafe label printer can be connected to the sterilizer to print barcodes. Combined with the built-in data log your traceability system is enhanced.

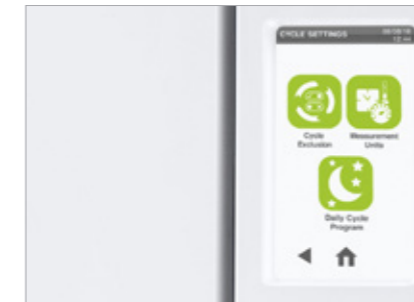
As unique as your practice

Easy to expand with customized upgrades.

Sterilize reliably, quickly and rapidly – plus, you can customize the device to suit your needs: The standard versions of the new Lara sterilizers already offer the fastest sterilization cycle in their segment – including standard documentation. An additional, newly developed upgrade system offers even more speed and extended documentation if you so wish – and ensures you are optimally equipped even if your requirements change.



Lara



Fast, faster, Lara

The standard version for type B cycles already gives you more time for your patients.



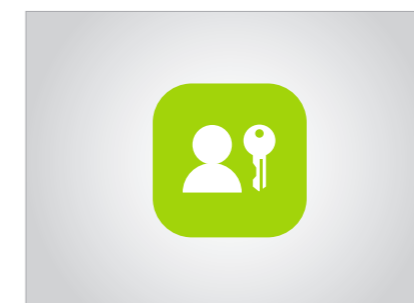
Even higher performance

If you need even more speed, you can use an Activation Code to perform a quick update to Eco Dry + and the Fast Cycle for loose instruments.



Integrated data storage

The integrated data logger saves the sterilization cycles on a high capacity USB stick without additional cables and external devices.



User identification

If you would like to expand the documentation, there is a quick and simple upgrade available offering you the option of user identification and traceability of the approval confirmation.



Barcode label printer

The LisaSafe label printer can be connected to the sterilizer for printing barcodes. In combination with the integrated data logger, it improves your traceability system.

Precision and perfection

Unique in its use.

The new generation of Lisa sterilizers offers intelligent and innovative solutions like EliSense and EliTrace for extraordinary user-friendliness as well as traceability down to the individual instrument. The result: safety, convenience, reliability and speed at a whole new level.



Lisa



EliSense inside

EliSense delivers information on the sterilization status, the temperature of the load and operation of the daily workflow.



EliTrace inside

For the first time, the sterilization process can be traced and documented down to the individual instrument or instrument kit. Without additional software or computer.



Easy to use

The specially developed, crystal-clear colour touchscreen guides you intuitively through the intelligent and simple menu structure.



Connected, simple, time-saving

With the Lisa mobile app, you can monitor and operate up to four sterilizers in real time using a smartphone or tablet from anywhere within the practice and all cycles are automatically saved at the same time.



High-performance

The reduced cycle time of 30 minutes for a 2 kg load ensures a longer service life of the instruments and reduced energy consumption. The innovative, patented Eco Dry technology adapts the drying time to reflect the load.



New design

Its exterior is just as appealing thanks to an ergonomic, space-saving design and elegant, low-maintenance contours

Traceability at the press of a finger

Traceable, seamless, safe.

The traceability concept is the link between the sterilization cycle and the patient file. This ensures seamless traceability for your hygiene protocol.



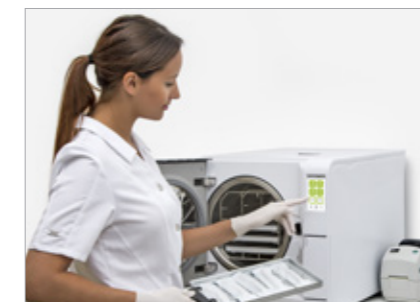
Risk-free cycle selection

The simple menu guidance makes it easy to select the automatic sterilization cycles.



Safe cycles

The process assessment system monitors all current cycle parameters and guarantees a successful sterilization result.



Check and release of load

The sterile load is checked and released. The cycle report is automatically saved to the memory card.



Simple labelling

The printed barcode labels are attached to the package with the sterilized instruments.



Storage

The packed instruments are used according to the first-in, first-out principle (FIFO). They must be used before the expiration date.



Transmission of data

The data is read into the patient file with the barcode scanner or the label is attached to the patient card.

Accessories

Compact, practical, good.

W&H offers a wide range of accessories for optimization of the sterilization process. Minor extras lead to major results. Work in the practice is easier and your team saves time.



LisaSafe, Lisa Mobile App, Sprint



LisaSafe label printer

The label printer is a quick and easy tool for linking the sterilization cycle with patient records.



Barcode scanner

LisaSafe includes a barcode scanner. This enables you to scan labels into patient records.



Lisa Mobile App

With Lisa Mobile App you are able to monitor up to 4 sterilizers in real time. The Lisa App enables you to retrieve cycle reports using the camera of your mobile phone.



Sprint

Print out cycle protocols on thermal paper with 10-year paper guarantee.



Helix test

The Helix test is a test indicator suitable for type B sterilizers.

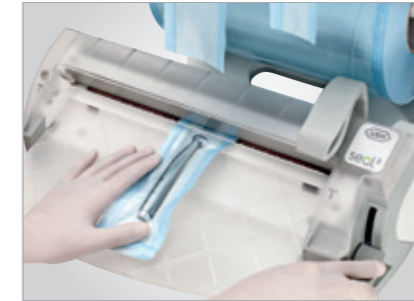
A perfect sealing process

Express packaging with Seal².

It is not easy to keep a product sterile. Only absolutely hermetic and strong protection of the sterile item from environmental influences will guarantee continuing sterility.



Seal²



Seal²

The foil sealer creates a 12-mm wide seal in just two seconds.



Hermetic seal

The sealing temperature is electronically controlled and guarantees a perfectly hermetic seal.



Patented double-roll holder

The patented double-roll holder takes a wide range of widths.



Convenient and user-friendly

Handling is optimized with the transparent sealing unit and the integrated work surface.



Flexible working

The roll holder can be removed from the station and mounted on the wall. This allows flexible working in the smallest spaces.

Water treatment systems

Ultrapure water for all systems.

Multidem supplies demineralized water for steam generation and can be used for many conventional sterilizers and processing units.



Multidem



User-friendly

Cartridges can be replaced quickly without tools. The cartridge can be positioned without a fixing/securing device.



Compatible

Multidem is suitable for use with all conventional sterilizers and processing units.



Practical

In addition, Multidem is also equipped with a spray gun and is ideal for rinsing instruments prior to sterilization and for manual filling of other sterilizers and processing units.



Economical

Multidem does not require an electrical connection. It has an optimized ion exchange resin.



Safe

The purified water complies with the recommendations and regulations for the operation of steam sterilizers and for the preparation of instruments.

Water treatment systems

High-quality demineralized water.

The use of high-quality demineralized water guarantees consistent performance at the highest level and extends the service life of your sterilizer and your instruments.



Osmo, Dist, Prim



Osmo

Osmo fills and drains multiple sterilizers automatically and simultaneously.



Spray gun

Osmo has a spray gun for manual filling of other units or for rinsing instruments prior to sterilization.



Tank

The water tank has a capacity of nine litres.



Dist

LisaDist produces four litres of distilled water of the highest quality at a very low price in less than five hours.



Prim

LisaPrim checks water quality by measuring the conductivity of the water.

W&H adapter set for cleaning units and disinfectors

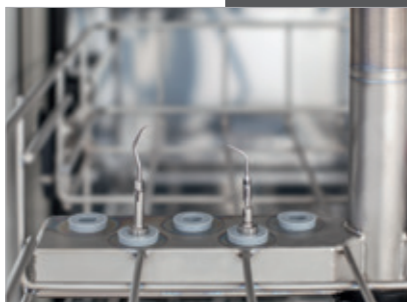
Compact, practical, universal.

The W&H adapter set enables uncomplicated, validated machine preparation of accessories and small parts in the thermo washer disinfector – internal and external.



W&H adapter set

The W&H adapter set was specially designed for machine preparation of accessories and small parts.



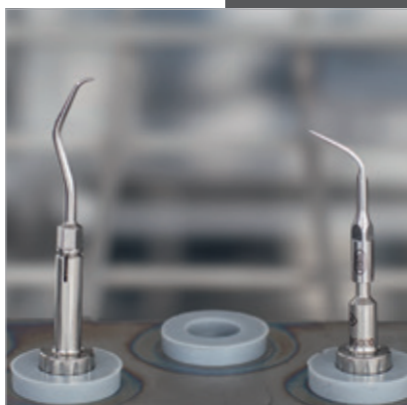
Validated cleaning

Supports validated internal cleaning and disinfection of the lumina of instruments such as scaler tips or coolant tubes.



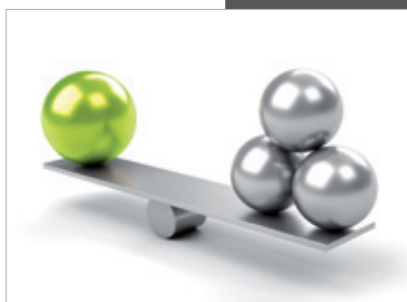
Internal and external thread cleaning

A special attachment to the adapter head guarantees that internal and external threads are cleaned.



Universal application

Usable with all rinsing channels in the cleaner and disinfector with an internal thread of 8 mm (M8x1) or a matching rubber insert. The W&H adapter set is compatible with all tips with M3x0.5 mm thread. For a complete list see wh.com



Value for money

Maximum cleaning and disinfection efficiency at a low purchase price.

Assistina 3x3 / 3x2

Type:	3x3	3x2
Process:	Internal and external cleaning, lubrication	Internal cleaning, lubrication
Suitable for:	Straight and contra-angle handpieces, turbines, air motors and air-driven scalars	
Mains voltage:	100 – 240 V	
Max. power consumption:	40 VA	
Air consumption:	approx. 100 NI/min.	approx. 60 NI/min.
Operating pressure:	5 – 10 bar (controlled via an integrated automatic pressure controller)	
Height / width / depth:	358 x 207 x 397 mm	
Capacity:	1000 ml W&H Activefluid, MC-1100, 200 ml W&H Service Oil F1, MD-200	
For details of the various Assistina 3x3 and 3x2 adaptors, please visit wh.com		



W&H Activefluid

Cleaning solution for thorough cleaning of instruments internally and externally for use with Assitina 3x3/3x2.

W&H Service Oil F1

The optimum lubrication of transmission parts increases the working life of precision dental instruments.

Assistina Twin

CE

Type:	MB-302 Assistina Twin
Process:	Cleaning of spray channels, oil service
Suitable for:	Straight, contra-angle and turbine handpieces, air-driven scalars, air motors
Supply voltage:	100 – 240 V AC
Maximum power consumption:	18 VA
Air consumption:	Approx. 40 NI/min
Operating pressure:	5 – 10 bar (controlled via an integrated, automatic pressure controller)
Dimensions (W x D x H):	297 x 435 x 190 mm
Weight:	3.5 kg
Capacity:	200 ml W&H Active Fluid cleaning solution 200 ml W&H Service Oil F1

Assistina 301 plus

CE

Type:	Assistina 301 plus
Cycle time:	approx. 35 secs.
Capacity of service oil container:	250 ml for approx. 3,500 maintenance cycles
Capacity of cleaning fluid container:	250 ml for approx. 2,500 maintenance cycles
Connection:	Compressed air connection with quick swivel coupling for air hose Ø 6 x 4 mm, 1/8" female thread
Compressed air:	4 – 10 bar flow pressure (automatic pressure regulation)
Air consumption:	approx. 60 l/min.
Height / width / depth:	223 x 190 x 415 mm
Weight:	2.70 kg

Lina

CE CE
0051 0497

Type:	Lina 17 PRO13-003-17	Lina 22 PRO13-003-22
Chamber size:	17 l	22 l
Power supply:	200 – 240 V AC; 50 / 60 Hz; 10 A	
Power consumption:	2 kW	
Dimensions overall (W x H x D):	450 x 435 x 599 mm	
Weight:	39 kg	40 kg
Main/Used water tanks:	4 / 3.5 litres	
Working range:	5 to 10 cycles	
Usable space in chamber (W x H x D):	195 x 195 x 297 mm	195 x 195 x 390 mm
Connection type:	1 serial port, 1 USB + 1 serial (optional), integrated automatic water filling valve (optional)	

Lara

CE CE
0051 0497


Type:	Lara 17 RIL-117	Lara 22 RIL-122
Chamber size:	17 l	22 l
Power supply:	200 – 240 V AC; 50 / 60 Hz; 10 A	200 – 240 V AC; 50 / 60 Hz; 10 A
Power consumption:	2.0 – 2.4 kW	
Overall dimension (width x height x depth):	465 x 452 x 646 mm	
Weight (empty):	42.5 kg	44 kg
Main/Used water tanks:	4.8 / 4.8 l	
Working range:	7 to 15 cycles	
Usable space in chamber (width x height x depth):	195 x 195 x 312 mm	195 x 195 x 400 mm
Connection types:	1 Ethernet port, 2 USB ports, integrated automatic water filling connection	

Lisa

CE CE
0051 0497

Type:	Lisa 17 VA131-17	Lisa 22 VA131-22
Chamber size:	17 l	22 l
Power supply:	200 – 240 V AC; 50 / 60 Hz; 10 A	200 – 240 V AC; 50 / 60 Hz; 10 A
Power consumption:	2.0 – 2.4 kW	
Overall dimension (width x height x depth):	465 x 452 x 634 mm	
Weight (empty):	46 kg	47.5 kg
Main/Used water tanks:	4.9 / 2.8 l	
Working range:	7 to 15 cycles	
Usable space in chamber (width x height x depth):	195 x 195 x 297 mm	195 x 195 x 390 mm
Connection types:	1 Ethernet port, 5 USB ports, 1 serial port, integrated automatic water filling connection	

Multidem

Type:	Multidem C27
Operating pressure:	2 bar – 8.6 bar (max.)
Water temperature (inlet):	4 – 30 °C / 40 – 86 °F
Nominal flow rate:	60 l/h
Water quality (out):	demineralized (EN 13060)
Water quality (in):	drinking water
Weight:	2.7 kg
Width/depth/height:	124 / 123 / 476 mm
Operating position:	vertical
Tube lengths:	2 x 3 m
Safety valve:	yes
Backflow preventer:	

Osmo

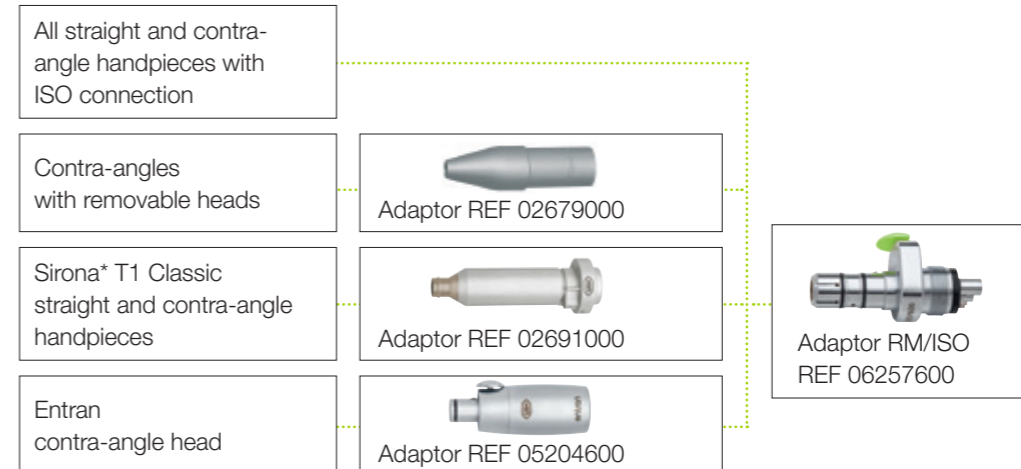
Type:	Osmo
Dimensions (W x D x H) mm:	520 x 200 x 420
Weight:	11.0 kg
H₂O pressure:	1 – 5 bar

Seal²

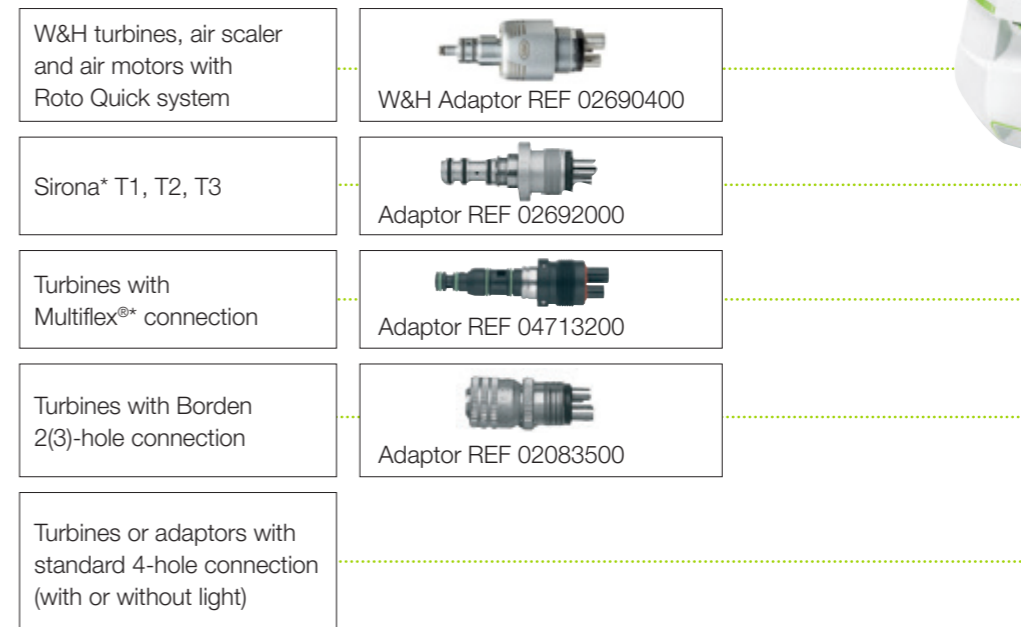
Type:	Seal²
Mains supply:	200 – 240 V / 100 W
Dimensions (L x D x H) mm:	452 x 480 x min 315 – max 420
Weight:	7.1 kg

System overview adaptor Assistina 3x3 / 3x2

Straight and contra-angle handpieces








Turbines



*) Multiflex® and Sirona are trademarks of third parties not affiliated with W&H Dentalwerk Bürmoos GmbH

System overview adaptor Assistina Twin





Straight and contra-angle handpieces

All straight and contra-angle handpieces with ISO connection		
Contra-angles with removable heads	 Adaptor REF 02679000	
Sirona* T1 Classic contra-angle handpieces	 Adaptor REF 02691000	
FG chuck system (W&H, Sirona)	 Adaptor REF 02693000	
Entran contra-angle head	 Adaptor REF 05204600	

Adaptor HPI REF 07477400








Turbines






W&H turbines, air scaler and air motors with Roto Quick system	 W&H Adaptor REF 02690400
Sirona* T1, T2, T3	 Adaptor REF 02692000
Turbines with Multiflex®* connection	 Adaptor REF 04713200
Turbines with Borden 2(3)-hole connection	 Adaptor REF 02083500
Turbines or adaptors with standard 4-hole connection (with or without light)	

System overview adaptor Assistina 301 plus

Straight and contra-angle handpieces

All straight and contra-angle handpieces with ISO connection	Contra-angles with removable heads	
Contra-angles with removable heads	 Adaptor REF 02679000	
Sirona* T1 Classic straight and contra-angle handpieces	 Adaptor REF 02691000	
FG chuck system (W&H, Sirona*)	 Adaptor REF 02693000	
Entran contra-angle head	 Adaptor REF 05204600	

Turbines

Sirona* T1, T2, T3	 Adaptor REF 02692000	 Base adaptor REF 02685000 for 4-hole turbines
W&H turbines, air scaler and air motors with Roto Quick system	 W&H Adaptor REF 02690400	
Turbines or adaptors with 4-hole fix connection (with or without light)		
Turbines with Multiflex®* connection	 Adaptor REF 04713200	
Turbines with Borden 2(3)-hole fix connection	 Adaptor REF 07014500	

*) Multiflex® and Sirona are trademarks of third parties not affiliated with W&H Dentalwerk Bürmoos GmbH

*) Multiflex® and Sirona are trademarks of third parties not affiliated with W&H Dentalwerk Bürmoos GmbH

W&H Sterilization Srl.
Via Bolgara, 2
24060 Brusaporto (BG), **Italy**
t +39 035-66 63 000
f +39 035-50 96 988
office.sterilization@wh.com
wh.com

20434 AEN Rev. 006 / 31.01.2019
Subject to alterations

Pictures are for illustrative purposes only. Additional equipment
and accessories shown are not included as standard.