

## The WAND, WAND PLUS, WAND PLUS TURBO AND WAND STA COMPLIANCE WITH HSE SHARPS REGULATION 11 MAY 2013

This document explains how the regulations complement the use of The Wand but certain measures apply.

In particular Clause 5 (c) (ii) "the risk of injury to employees is effectively controlled by the use of a suitable appliance, tool or other equipment".

The risk of a sharps injury is in fact controlled due to the fact that The Wand instrument has a built in docking station which holds the cap securely and thus provides a single handed secure means of recapping with no risk of a sharps injury.

As many dental procedures require injections at multiple sites during the same appointment, the ability to recap the integrated needle and handpiece single handedly is a major advantage to avoid needle sticks.

The Wand has been designed with safety in mind. As the Wand handpiece is the shape of a pencil, it can be held close to the needle, which in itself, makes a needle stick to the operator much less likely than with a syringe.

The pencil like shape also enables the dentist to control the direction of the needle better thus reducing the risk to the patient or nurse.

The regulation needs to be read by The Wand user as the clauses regarding "information and training (6)", "arrangements in the event of injury (7)" and "notification of injuries (8)" need to be observed.

Directions on single-handed re-capping can be found on:

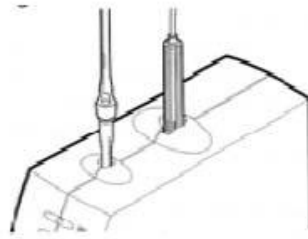
Page 8 of The Wand Plus Manual

Page 6 of The Wand STA Manual

The following pages have instructions for both instruments.



## One Handed Needle Recapping Technique for The Wand, Wand Plus, Wand Plus Turbo



1. Place needle cap into the handpiece holder on top of The Wand unit.
2. Hold needle cap firmly with one hand, remove the needle from the cap with the
3. other hand by pulling straight out from the cap. Do not twist. (Cap remains in receptacle on unit top).
4. Lightly set the needle back into the cap. Do not press into the cap. This is a temporary
5. holding dock for the needle.
6. When ready to use the handpiece and needle, simply remove the handpiece and
7. needle from the cap. Return the needle to the cap during periods of non-use.
8. When the procedure is completed, firmly press the needle into the cap on the top of
9. The Wand unit. When locked in place and keeping your hands behind needle point,
10. remove the cap with the attached needle from the unit.
11. Discard in an approved manner.

NOTE: Recap needle when medically necessary or when no other alternative exists.



## One Handed Needle Recapping Technique for The Wand STA

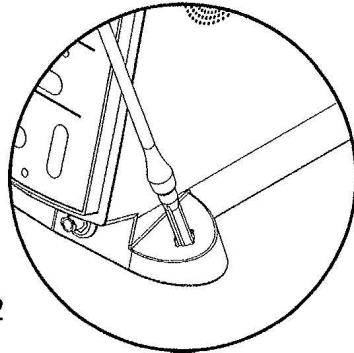


Fig. 2

1. Place the needle cap into The Wand handpiece holder on either side of The Wand STA unit.
2. Hold the needle cap firmly with one hand. Remove the needle from the cap with the other hand by pulling straight out from the cap. Do not twist (Cap remains in receptacle on the side of the unit).
3. Between injections, lightly set the needle back into the cap. Do not press into the cap. This is a temporary holding dock for the needle.
4. When ready to use the handpiece and needle, simply remove the handpiece and needle from the cap. Return the needle to the cap when not in use.
5. When the procedure is completed, firmly press the needle into the cap on the side of the Wand STA unit, locking the cap back on the needle. When locked in place and keeping your hands behind needle point remove the cap with the attached needle from the unit and discard in an approved manner.

NOTE: Recap needle when medically necessary or when no other alternative exists.

